

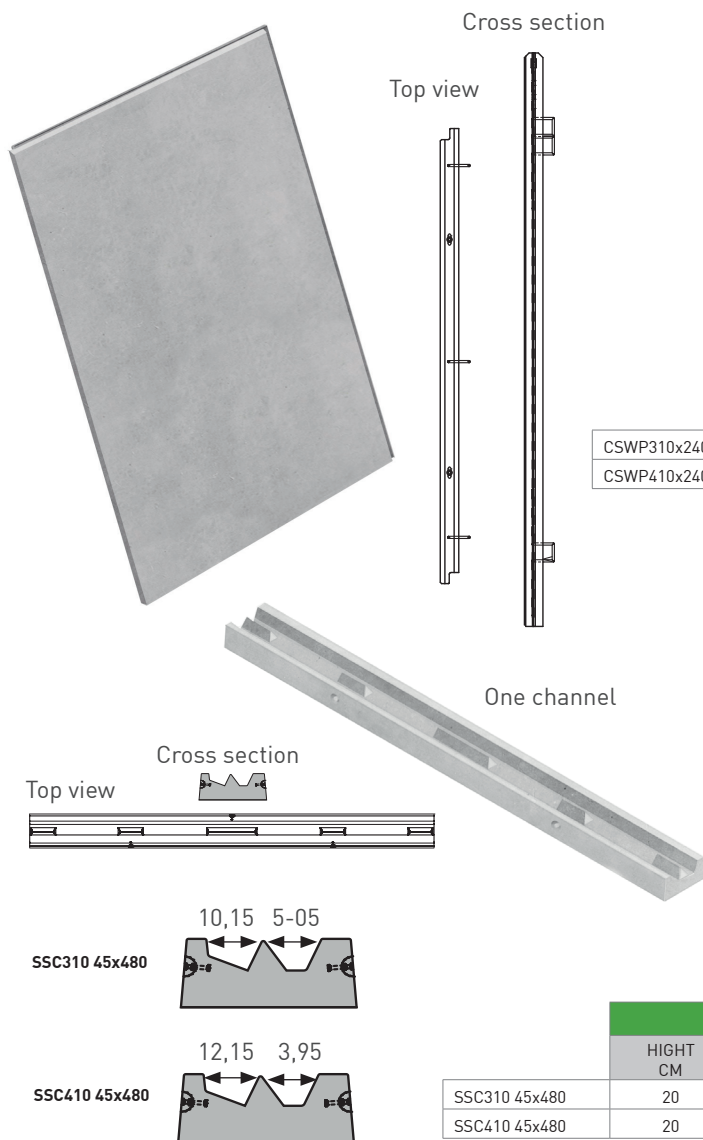


Make better silage with an CBS Beton sloping walled silage clamp.

Because the walls are placed at an angle, it is much easier to press the roughage with the wheels or tracks of a tractor or a depth loader. Because the walls in the silo are placed at an angle, your silo has 35% more capacity than a silo with straight walls.

As a result, the air is pressed out of the silage, which avoids fermentation or mold in the pressed roughage. You have less loss and can maintain optimal forage quality.

Silage clamps for agricultural use, 15 tons axle load.



YOU NEED 2 CONCRETE ELEMENTS TO BUILD A WALL WITH SILAGE CLAMPS

1) THE WALLS: CSWP310X240 - CSWP410X240

An CBS Beton silage clamp has a sloping wall at 23 degrees. Each pre-cast panel rests against an earth bank, which eliminates any movement of the panels. The earth banks also provide a safe and stable platform to work on – particularly useful when draping the clamp.

SILAGE CLAMPS						
	HIGHT CM	LENGTH CM	WIDTH CM	WEIGHT KG	LIFTING HOOKS	CONCRETE QUALITY
CSWP310x240	57	310	10	1818	2 x RD20	C60/75
CSWP410x240	57	410	12	2347	2 x RD20	C60/75

2) THE SEATING CHANNELS: SSC310 45X480 - SSC410 45X480

Our CBS Beton sloping panels are always sited on one “seating channel”; that supports the panels. The seating channel has 1 recesses, the upper (front) recess supports the wall panels, and the lower (back) recess acts as a drain should leachate penetrate the wall. The seating channels are set below the surface of the silo floor so that the flooring material covers the top of the channel.

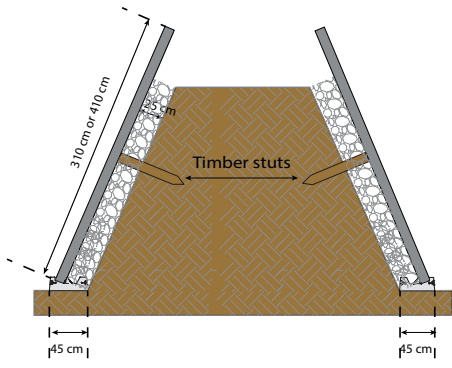
Although there is little likelihood of Leachate leakage through the wall panel joints, the concrete seating channel incorporates a collection drain, thus complying with the SSAFO regulations which require Leachate drains. (The Control of Pollution (Silage, Slurry and Agricultural Fuel Oil) behind the walls. These channels are connected to collection drains which pass through an inspection chamber that is regularly inspected for signs of leachate contamination.

SEATING CHANNEL							
	HIGHT CM	LENGTH CM	WIDTH CM	CROSS SECTION	WEIGHT KG	LIFTING HOOKS	CONCRETE QUALITY
SSC310 45x480	20	480	45	10,15 - 5,05	775	KKA 3 x 1,3 T	C60/75
SSC410 45x480	20	480	45	12,15 - 3,95	765	KKA 3 x 1,3 T	C60/75

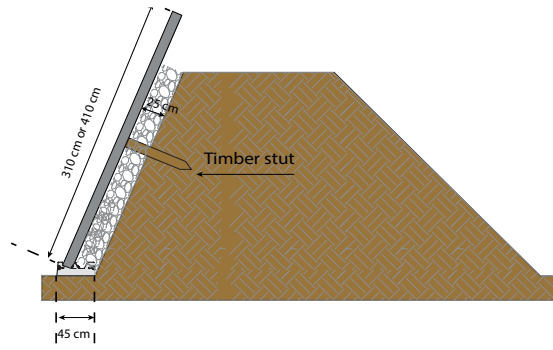
EARTH BANK CONSTRUCTION

The outer slope of external bank should be less than 45° for safety reasons; this bank should be planted to prevent soil erosion.

A geotextile liner should be placed over the bank, to ensure that the gravel infill does not migrate into the bank.



Section trough double wall earth bund



Section trough single wall earth bund



Our walls en draining panels are designed, inspected and approved according to official authorities.